

# ACCENTO 350 SPIKE SPOT



## General Information:

A highly efficient, floor mounted spiked luminaire, ideal for uplighting shrubs and small trees. Housing made of thermal brass. The fitting is pre-wired with 1m of silicone cable.

The luminaire has a fixed head and an integral driver that operates on 24v AC or DC input.

A remote 230v/24v transformer is required.

## Fixing Options:

Spike – for ground mounting   
 Surface mounting

## LED Options:

350mA 5w LED 3200K – Warm white   
 350mA 5w LED 4150K – White

## Optics Options:

Narrow 15°   
 Medium 26°   
 Wide 35°   
 Elliptical 45° x 15°   
 Flood >90°

## Glass/Diffusers Options:

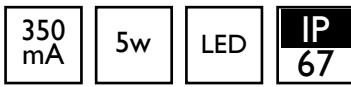
Clear   
 Frosted

## Finishes:

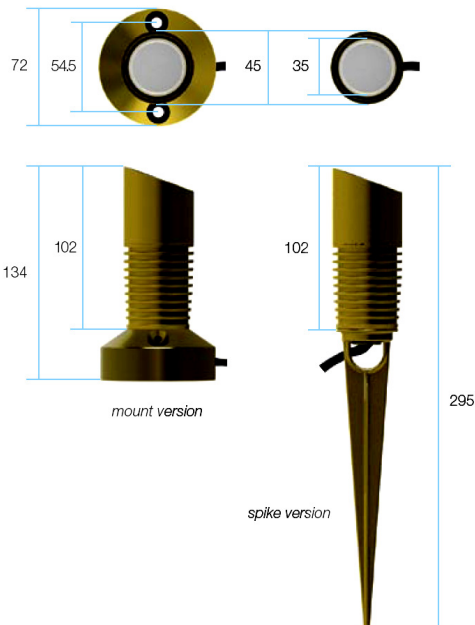
Machined Brass   
 Brushed Hydrics

## Transformer Options:

24v Transformer for up to 20 fittings   
 24v Transformer for up to 40 fittings   
 I-10v dimming controller



## Dimensions:



Please note that these drawings are not to scale

**TRANSFORMER NOT INCLUDED.**

**CAUTION:** Care should be taken with positioning of the light fitting as it will become hot in operation.

