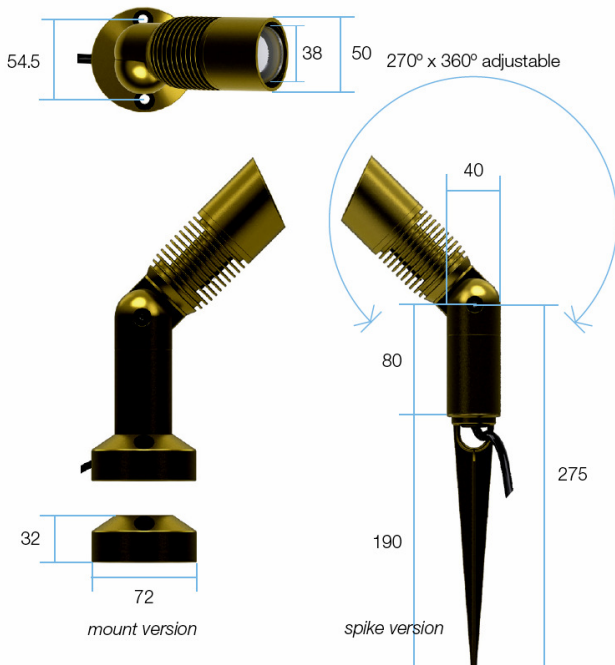


ACCENTO 700 SPIKE SPOT



Please note that these drawings are not to scale

TRANSFORMER NOT INCLUDED.

CAUTION: Care should be taken with positioning of the light fitting as it will become hot in operation.

General Information:

A highly efficient, low energy floor mounted spiked luminaire, ideal for uplighting shrubs and small trees. Housing made of thermal brass. The fitting is pre-wired with 1m of silicone cable.

The luminaire has an adjustable head of 180 degrees rotation and an integral driver that operates on 24v AC or DC input.

A remote 230v/24v transformer is required.

Fixing Options:

- Spike – for ground mounting
- Surface mounting

LED Options:

- 700mA 10w LED 3200K – Warm white
- 700mA 10w LED 4150K – White

Optics Options:

- Narrow 15°
- Medium 26°
- Wide 35°
- Elliptical 45° x 15°
- Flood >90°

Glass/Diffusers Options:

- Clear
- Frosted

Finishes:

- Machined Brass
- Brushed Hydrics

Transformer Options:

- 24v Transformer for up to 10 fittings
- 24v Transformer for up to 20 fittings
- I-10v dimming controller

