

BASIC UNDERCUPBOARD



General Information:

A discreet undercabinet light with a protective sandblasted glass cover with a magnetic fastening for ease of re-lamping.

It comes semi recessed as standard but can be surface mounted using the surface mount accessory can.

Lamp:

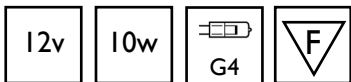
12v, 10w G4 Capsule

Finishes:

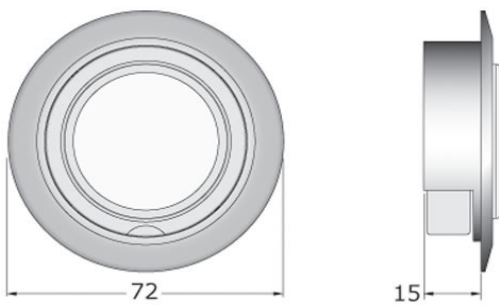
Chrome
Satin Chrome
White

Accessories:

Transformer (included)
Surface Mount Can



Dimensions:



Cut out: 58mm Ø

Please note that these drawings are not to scale

LAMP AND TRANSFORMER INCLUDED.

CAUTION: Care should be taken with positioning of the light fitting as it will become hot in operation.

