

# EAVE LITE



## General Information:

A recessed exterior downlight designed to be installed into the eaves, doorways or canopies.

Installed by fitting the cannister and then assembling the flange and lamp in the canister held by 'o' rings.

## Lamp:

12v, 20-50w GU5.3 Dichroic

## Finishes:

316 Stainless steel

Copper

Black

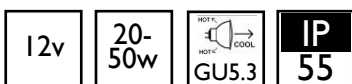
White

## Accessories:

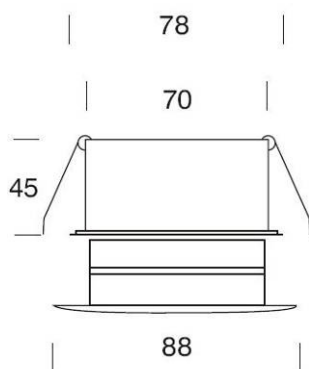
Transformer

Cable Joint Kit

Frosted lens



## Dimensions:



Cut out: 70mm Ø

Please note that these drawings are not to scale

**LAMP AND TRANSFORMER NOT INCLUDED.**

**CAUTION:** Care should be taken with positioning of the light fitting as it will become hot in operation.

