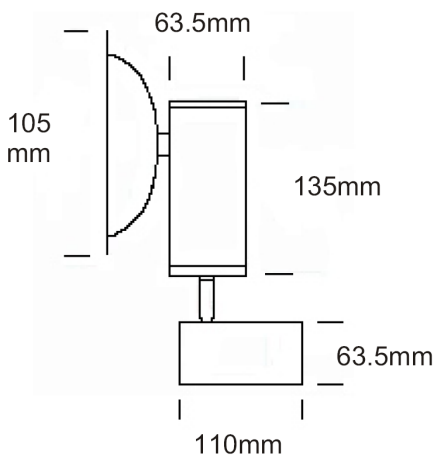


ECO TREE MOUNT



Dimensions:



Please note that these drawings are not to scale

LAMP NOT INCLUDED.

CAUTION: Care should be taken with positioning of the light fitting as it will become hot in operation.

General Information:

This luminaire is designed for installing on tree trunks to increase illumination in the higher parts of a tree canopy or for cross lighting onto other high objects, as well as to light paths.

It is installed with a special tree-mounting kit that allows trees to grow without causing any harm. It has a fully adjustable head allowing 360 degree rotation and 0-90 degree elevation adjustment and comes with an integral ballast.

An integral louver reduces the potential glare from the lamp.

The Metal Halide is highly efficient, using considerably less energy than a standard halogen lamp, but with a light output 2-3 times higher.

Lamp:

230v, 20-35w GX10 Metal Halide

Finishes:

Copper
Stainless steel
Black
Bronze
Green
White

Accessories:

Cable Joint kit
Frosted Lens