



## General Information:

Designed for interior use, the luminaire is secured within the floor by a friction fit with no visible fixings and has a bezel diameter of only 78mm. This, combined with the deep set of lamp, create minimal visual intrusion.

Ideal for uplighting solution for public areas and residential projects due to low surface temperature.

## Lamp:

12v, 20-50w GU5.3 Dichroic

## Finishes:

Polished Stainless Steel

Brushed Stainless Steel

Antique Bronze

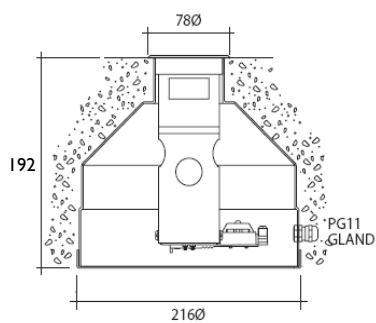
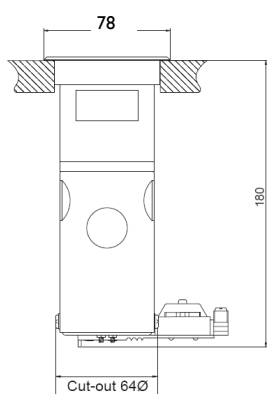
## Accessories:

Transformer

Concrete Housing



## Dimensions:



Concrete housing

Minimum space of 190mm diameter around the body of the fitting is required for heat dissipation.

Please note that these drawings are not to scale

**LAMP AND TRANSFORMER NOT INCLUDED.**

**CAUTION:** Care should be taken with positioning of the light fitting as it will become hot in operation.

