

FL I 50M

General Information:

Designed for use internally for uplighting onto walls, columns or niches.

This is a shorter version of the standard FLI50 low temperature uplighter, it is ideal for areas where the fitting may be touched.

Lamp:

12v, 20w GU5.3 Dichroic IRC

Finish:

Polished Stainless Steel

Brushed Stainless Steel

Antique Bronze

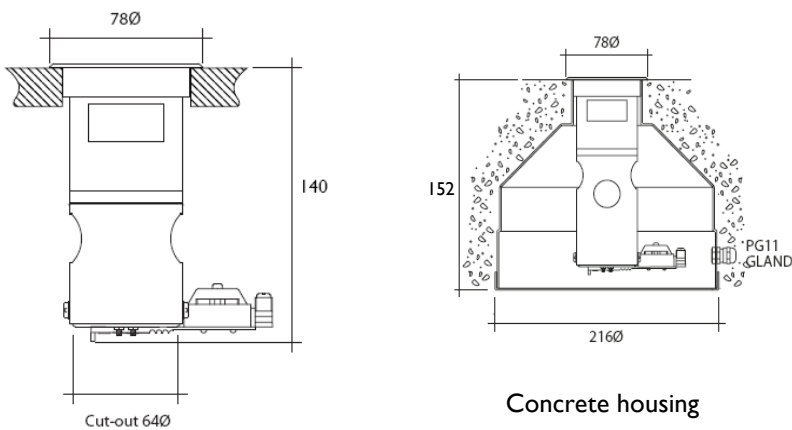
Accessories:

Transformer

Concrete Housing



Dimensions:



Minimum space of 150mm diameter around the body of the fitting is required for heat dissipation.

Please note that these drawings are not to scale

LAMP AND TRANSFORMER NOT INCLUDED.

CAUTION: Care should be taken with positioning of the light fitting as it will become hot in operation.

