

FLI53 SUPERCOOL M



General Information:

This fitting is designed for use both exterior and interior use for uplighting walls and columns.

The lamp sits low down in the fitting to minimize glare. Supplied with first fix concrete housing as standard. A water tight 'O' ring compression seal is used to fit the fitting into the housing.

Lamp:

12v, 20w GU5.3 Dichroic IRC

Finishes:

Polished Stainless steel

Brushed Stainless steel

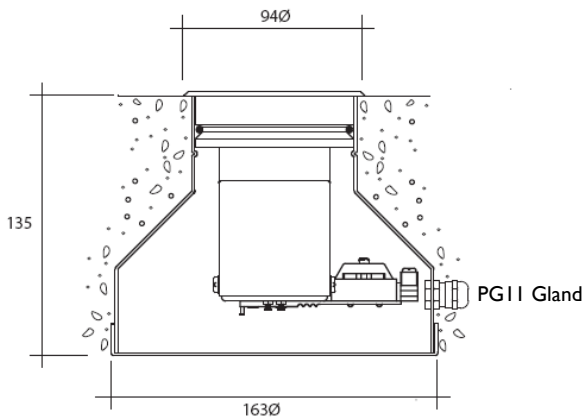
Antique Bronze

Accessories:

Transformer



Dimensions:



Please note that these drawings are not to scale

LAMP AND TRANSFORMER NOT INCLUDED.

CAUTION: Care should be taken with positioning of the light fitting as it will become hot in operation.

