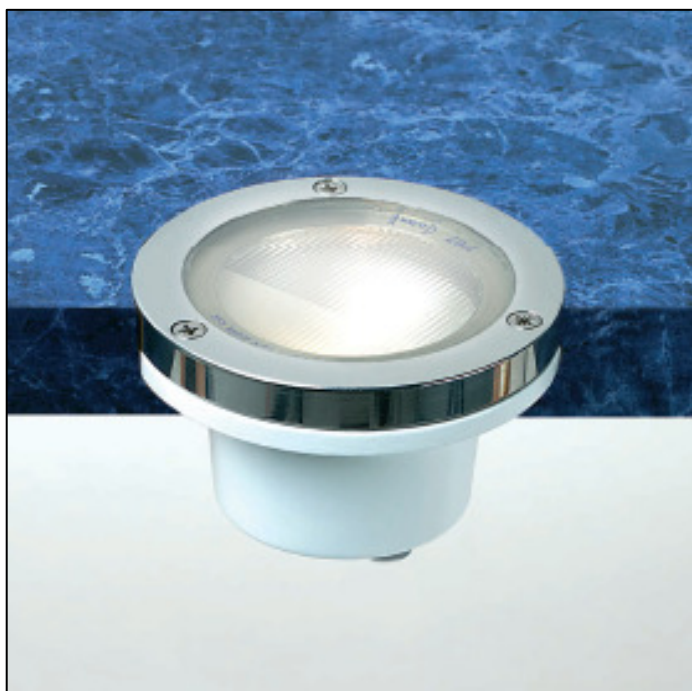


FLI 90 ASYMMETRIC



General Information:

This fitting has a die-cast aluminium bezel with a toughened glass cover and asymmetric reflector, with a beam axis at 18 degrees from the central axis.

A ribbed glass provides both a wide distribution and reduced glare.

Lamp:

- 12v, 5-20w G4 Capsule
- 12v, 20w G4 Xenon

Transformer Options:

- Remote
- Integral

Asymmetric Glass Segment Options:

- Frosted glare shield
- Clear (standard)

Finishes:

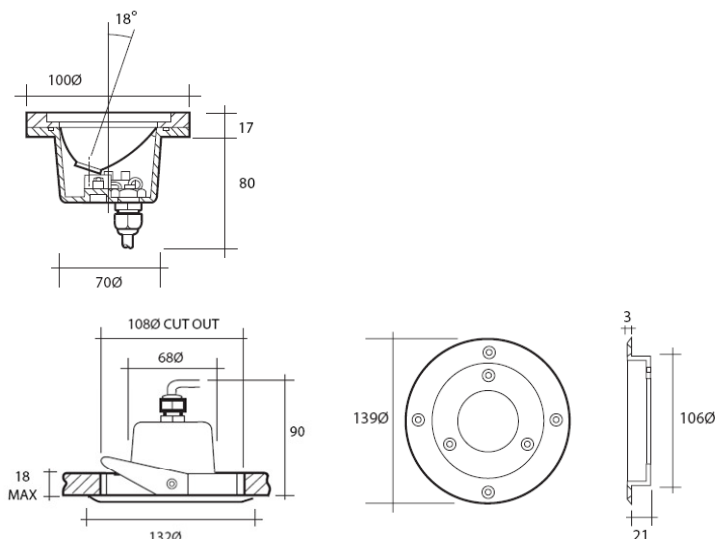
- Polished Stainless steel
- Brushed Stainless steel
- Powder coated White
- Powder coated Black
- Gunmetal Grey
- Polished Brass (indoor use only)

Accessories:

- Ceiling/Cavity Wall mount bezel
- Floor mount bezel (stainless steel only)
- Concrete Fixing Trim
- Concrete fixing housing



Dimensions:



Ceiling/cavity wall mount bezel Floor mount bezel

Please note that these drawings are not to scale

LAMP AND TRANSFORMER NOT INCLUDED.

CAUTION: Care should be taken with positioning of the light fitting as it will become hot in operation.

