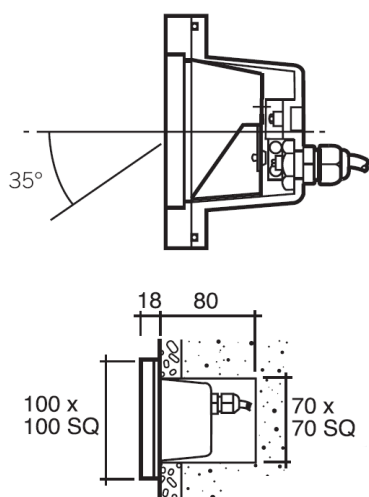




### Dimensions:



Please note that these drawings are not to scale

**LAMP AND TRANSFORMER NOT INCLUDED.**

**CAUTION:** Care should be taken with positioning of the light fitting as it will become hot in operation.

### General Information:

This fitting is designed to light downwards at 35 degrees. Ideal for low level wall mounting and step lighting providing a gentle wash of light to the floor surface.

A ribbed glass provides both a wider distribution and reduced glare.

### Lamp Options:

- 12v, 20w G4 Capsule
- 12v, 20w G4 Xenon

### Finishes:

- Powder coated white
- Powder coated black
- Polished Stainless steel
- Brushed stainless steel
- Gun metal grey
- Polished Brass (indoor use only)

### Accessories:

- Transformer
- Security fixing screws
- Concrete fixing trim

