

# GRID IN | H III

## General Information:

A recessed architectural grid fitting with AR III lamp for optimum directional and controlled light.

Metal Halide lamp provides the same sparkle of the halogen version, but consumes only 40% of the energy. Ideal for commercial applications.

## Lamp:

230v 35-70w GX8.5 Metal Halide AR III

## Finishes:

Aluminium Grey

Aluminium Grey with black insert

White

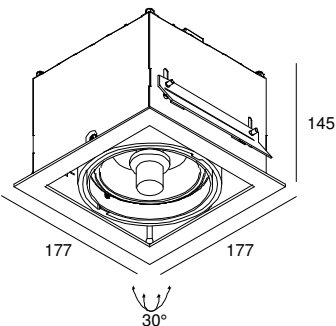
## Accessories:

Ballast

Plaster Kit



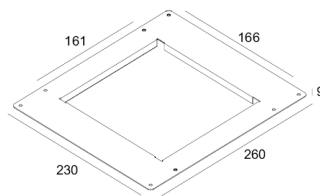
## Dimensions:



Cut out: 167 x 167 x 160mm

Recess Depth: 160mm

## Plaster kit:



Cut out: 190 x 170mm

Please note that these drawings are not to scale

**LAMP AND BALLAST NOT INCLUDED.**

**CAUTION:** Care should be taken with positioning of the light fitting as it will become hot in operation.

