

GRID IN 2 H III

General Information:

A recessed architectural grid fitting with AR111 lamps for optimum directional and controlled light.

Metal Halide lamp provides the same sparkle of the halogen version, but consumes only 40% of the energy. Ideal for commercial applications.

Lamp:

230v, 2 x 35-70w GX8.5 Metal Halide AR111

Finishes:

Aluminium Grey

Aluminium Grey with black insert

White

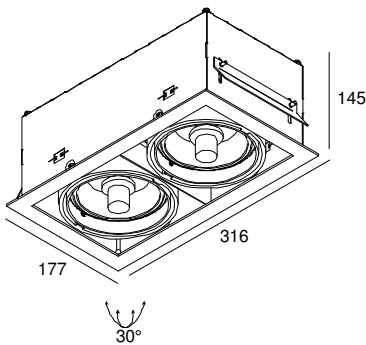
Accessories:

Ballast

Plaster kit

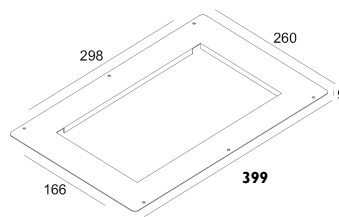


Dimensions:



Cut out: 306 x 167mm
Recess Depth: 160mm

Plaster kit



Cut out: 310x190mm

Please note that these drawings are not to scale

LAMP AND BALLAST NOT INCLUDED.

CAUTION: Care should be taken with positioning of the light fitting as it will become hot in operation.