

# GRID ON 2QR

## General Information:

A surface mounted architectural grid fitting utilising two directional AR111 lamp. The transformer is incorporated into the body of the fitting. Suitable for all interior applications.

## Lamp:

12v, 2 x 35-50w G53 AR111

## Finishes:

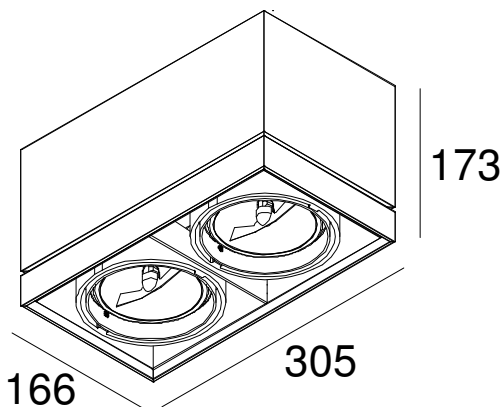
Aluminium Grey

Black

White



## Dimensions:



Please note that these drawings are not to scale

**LAMPS NOT INCLUDED.**

**CAUTION:** Care should be taken with positioning of the light fitting as it will become hot in operation.