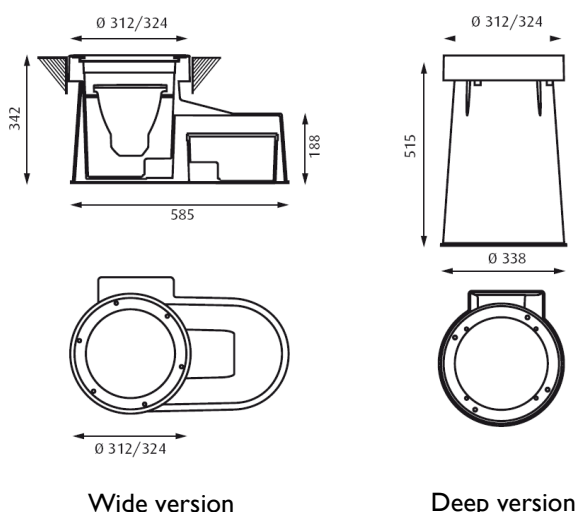


### Dimensions:



Please note that these drawings are not to scale

### LAMP INCLUDED.

**CAUTION:** Care should be taken with positioning of the light fitting as it will become hot in operation.

### General Information:

A robust luminaire that provides accent illumination from a recessed fixture using a range of reflectors and lamps. Ideal for uplighting of trees.

The fitting is mounted in an installation sleeve and is supplied with built in control gear, prewired factory sealed complete with IP68 connector.

### Top Plate Options:

- 312mm diameter flush straight
- 324mm diameter radiused

### Lamp:

- 230v, 35-150w G12 Metal Halide

### Installation Sleeve Options:

- Wide
- Deep

### Optics Options:

- 8 degree
- 15 degrees
- 30 degrees
- 60 degrees
- Wall wash

### Finish:

- Stainless steel

### Accessories:

- Junction box (deep sleeve only)
- Anti Vandal screws
- Internal concentric louvre and holder
- Dichroic filters
- Anti-slip glass
- Frosted glass