



### General Information:

A 2w round, recessed LED step light, suitable for mounting in both exterior and interior applications.

Installation is either by countersunk screws (visible) or "O" rings with installation sleeve, as shown on picture. Sleeve can be bonded into wood, concrete or an aluminium plate.

### Lamp:

700mA, 2w LED

### Lamp Colour Options:

Warm White (3000k approx.)

Cold White (5000k approx.)

Amber

Red

Blue

Green

### Driver Options:

Dimmable IP20

Dimmable IP68

Non dimmable IP20

Non dimmable IP68

### Optics Options:

6 degree lens

15 degree lens

8 x 25 degree 'spreader' lens

### Finishes:

Stainless steel (installation can version)

Gunmetal Grey (fixings screws version)

White (fixings screws version)

Black (fixings screws version)

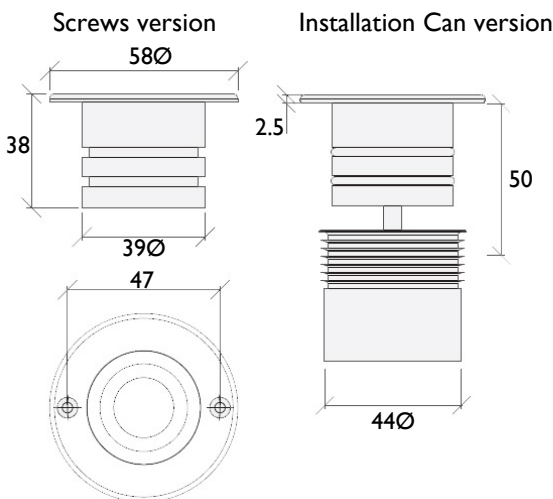
### Fixing Options:

Installation sleeve (stainless steel only)

Countersunk screws (except Stainless steel)



### Dimensions:



Cut out: 39mm Ø

Cut out: 44mm Ø

Please note that these drawings are not to scale

### DRIVER NOT INCLUDED.

**CAUTION:** Care should be taken with positioning of the light fitting as it will become hot in operation.