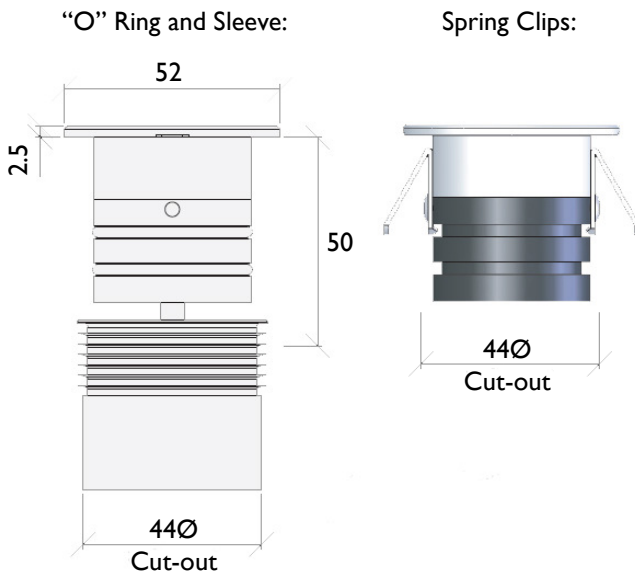


Dimensions:



Please note that these drawings are not to scale

DRIVER NOT INCLUDED.

CAUTION: Care should be taken with positioning of the light fitting as it will become hot in operation.

General Information:

A compact design with lens set back into the fitting to reduce glare. Ideal for steplighting and uplighting in both interior and exterior applications.

Installation is either by spring clips or secured by 'O' rings, with the installation sleeve, bonded into wood, concrete or aluminium plate.

The luminaire has a 5mm Borofloat glass set in flush. Suitable for walkover. A tilted lens is available to be combined with 6 degree lens for uplighting application.

Lamp:

700mA, 2w LED

Lamp Colour Options:

Warm White (3000k approx.)
 Cold White (5000k approx.)
 Red
 Blue
 Green
 Amber

Driver Options:

Dimmable IP20
 Dimmable IP68
 Non-dimmable IP20
 Non-dimmable IP68

Optics Options:

6 degree lens
 15 degree lens
 8 x 25 degree 'spreader' lens
 Tilted lens

Finishes:

Stainless steel 316
 Powder coated white
 Powder coated black
 Polished stainless steel

Fixing options:

Installation sleeve
 Spring clips