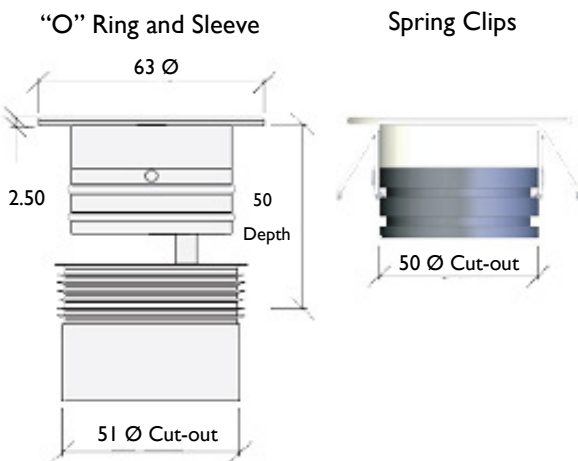


### Dimensions:



Please note that these drawings are not to scale

### DRIVER NOT INCLUDED.

**CAUTION:** Care should be taken with positioning of the light fitting as it will become hot in operation.

### General Information:

A square recessed LED spotlight, suitable for mounting in both exterior and interior applications.

The lens is inclined by 20 degrees, for a floor wash illumination and low glare. The fitting works best with a 15 degree lens.

Installation is either by spring clips or secured by 'O' rings with the installation sleeve, bonded into wood, concrete or an aluminium plate.

### Lamp:

350mA, 1w LED

### Lamp Colour Options:

Warm White (3000k approx)

Cold White (5000k approx.)

Red

Blue

Green

Amber

### Driver Options:

Dimmable IP20

Dimmable IP68

Non-dimmable IP20

Non-dimmable IP68

### Optics Options:

6 degree lens

15 degree lens

8 x 25 degree 'spreader' lens

### Finishes:

Powder coated black

Powder coated white

Polished Stainless steel

Stainless Steel 316

### Fixing options:

Installation sleeve

Spring clips