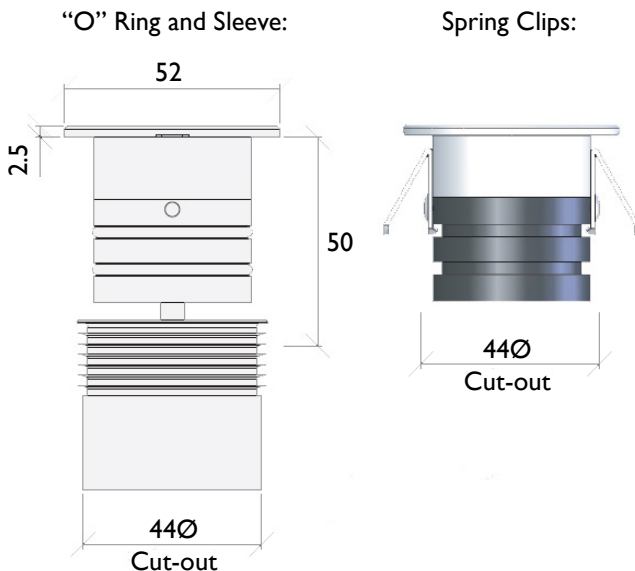


Dimensions:



Please note that these drawings are not to scale

DRIVER NOT INCLUDED.

CAUTION: Care should be taken with positioning of the light fitting as it will become hot in operation.

General Information:

A compact design with lens set back into the fitting to reduce glare. Ideal for step-lighting and up-lighting in both interior and exterior applications.

Installation is either by spring clips or secured by 'O' rings, with the installation sleeve, bonded into wood, concrete or aluminium plate.

The luminaire has a 5mm Borofloat glass set in flush. Suitable for walkover. A tilted lens is available to be combined with 6 degree lens for up-lighting application.

Lamp:

- 350mA, 1w LED
- 350mA, 3x1w LED (RGB)

Lamp Colour Options:

- Warm White (3000k approx.)
- Cold White (5000k approx.)
- Red
- Blue
- Green
- Amber
- Tri Chip - RGB

Driver Options:

- Dimmable IP20
- Dimmable IP68
- Non-dimmable IP20
- Non-dimmable IP68

Optics Options:

- 6 degree lens
- 15 degree lens
- 8 x 25 degree 'spreader' lens
- Tilted lens

Finishes:

- Stainless steel 316
- Powder coated white
- Powder coated black
- Polished stainless steel

Fixing options:

- Installation sleeve
- Spring clips