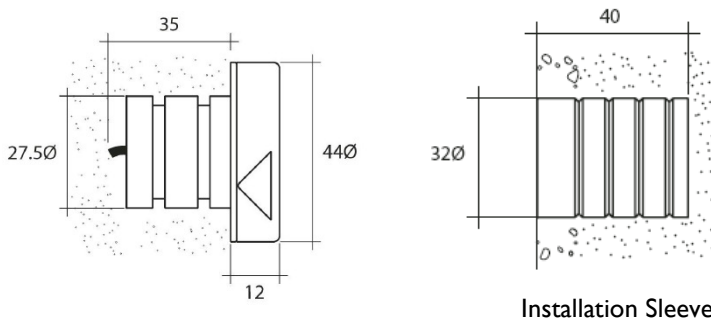


Dimensions:



Please note that these drawings are not to scale

DRIVER NOT INCLUDED.

CAUTION: Care should be taken with positioning of the light fitting as it will become hot in operation.

General Information:

The LD62 is a semi-recessed indicator that washes the surface with light. It is suitable for mounting in interior or exterior walls with a 360 degree and 25 degree beam of illumination.

Installation is either by directly bonding into the surface or secured by 'O' rings, with the installation sleeve.

Lamp:

350mA, 1w LED

Lamp Colour Options:

- Warm White (3000k approx.)
- Cold White (5000k approx.)
- Red
- Blue
- Green
- Amber

Driver options:

- Dimmable IP20
- Dimmable IP68
- Non-dimmable IP20
- Non-dimmable IP68

Finish:

Stainless steel

Accessories:

Installation sleeve

