



## General Information:

A contemporary magnifying mirror luminaire with extendable arm and integral pull cord for local switching.

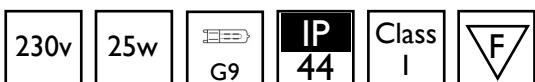
Suitable for use in bathroom zone 2.

## Lamp:

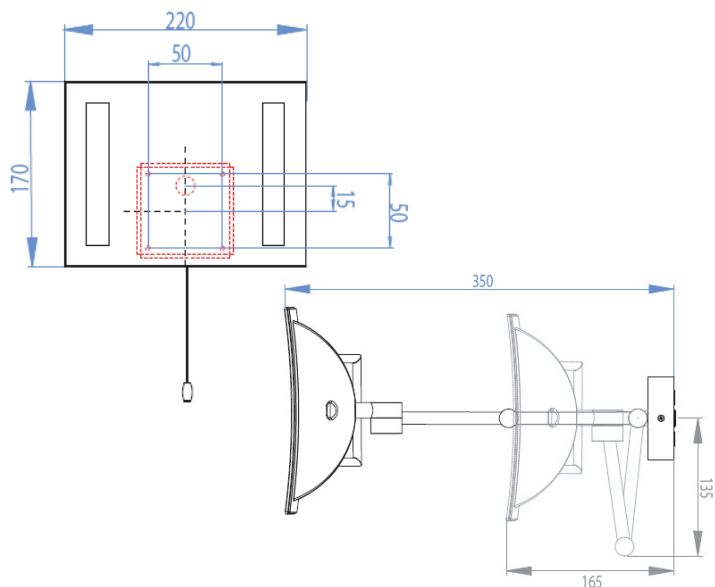
230v, 25w G9 Capsule

## Finish:

Polished Chrome



## Dimensions:



Please note that these drawings are not to scale

**LAMP NOT INCLUDED.**

**CAUTION:** Care should be taken with positioning of the light fitting as it will become hot in operation.