

MAGNETIC SQUARE ADJ. SHOWERLIGHT



General Information:

A magnetic adjustable downlight with anti-glare baffle, suitable for all interior applications including bathrooms.

Suitable for use in bathroom zone 1 and 2.

Lamp:

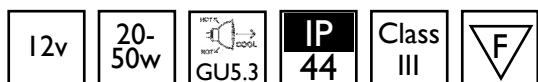
12v, 20-50w GU5.3 Dichroic

Finishes:

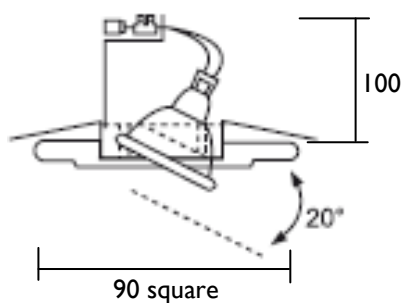
Chrome
Satin Chrome
White

Accessories:

Transformer



Dimensions:



Cut out: 78 mm Ø

Please note that these drawings are not to scale

LAMP AND TRANSFORMER NOT INCLUDED.

CAUTION: Care should be taken with positioning of the light fitting as it will become hot in operation.