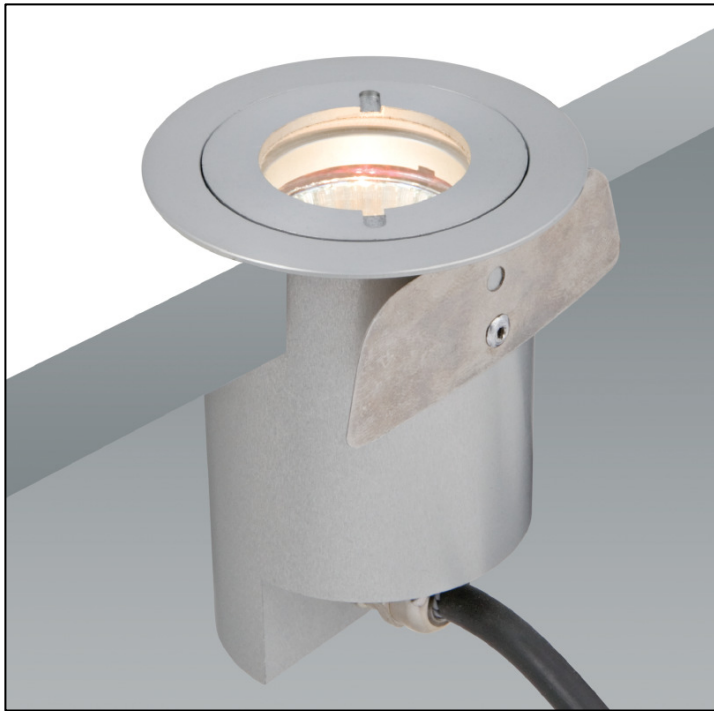


MINI MONSOON LED



General Information:

An in-ground fixed uplight, suitable for both interior and exterior applications, with a walk-on 6mm toughened glass lens available in clear or sandblasted.

Buriable tube available for installation into solid ground. Supplied with special re-lamping key.

Lamp:

12v, 1w 3200k LED

Glass lens Options:

Clear (standard)

Sandblasted

Finishes:

Polished Stainless Steel Silver Anodised

Brushed Stainless Steel Black Anodised

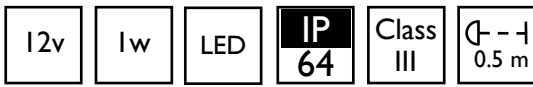
Polished Brass Bronze Anodised

Brushed Brass

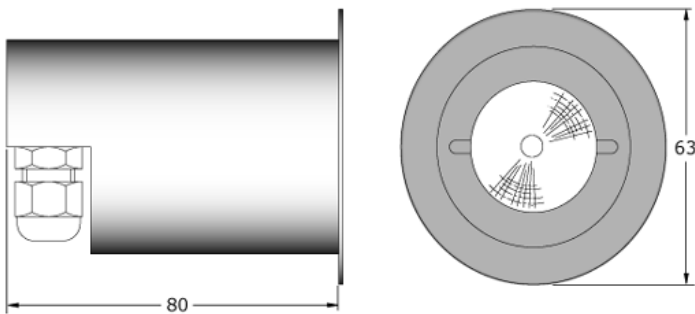
Accessories:

LED Transformer

Burial Tube 57.5mm Ø x 100 mm length



Dimensions:



Cut out: 55mm Ø (Without burial tube)

Please note that these drawings are not to scale

TRANSFORMER NOT INCLUDED.

CAUTION: Care should be taken with positioning of the light fitting as it will become hot in operation.

