

General Information:

A discreet metal halide surface mounted spotlight with integral ballast, suitable for all exterior applications.

The metal halide lamp consumes only half the energy of a standard bulb and produces double the light output.

Lamp:

230v, 35w GX10 Metal Halide PAR16

Finishes:

Black

White

Paint to spec.

Accessories:

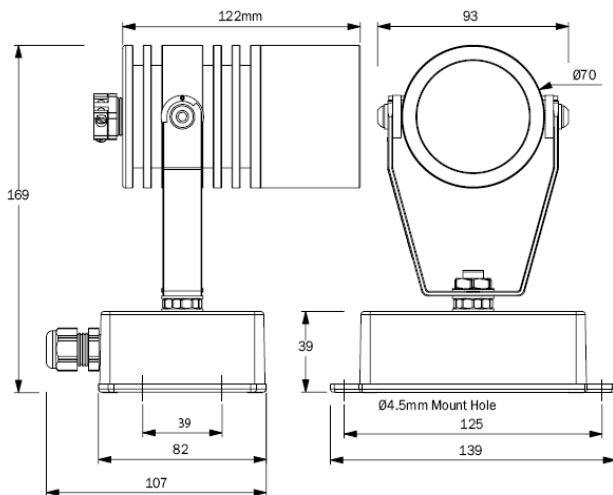
Long snoot

Louvre

Various Lenses



Dimensions:



Please note that these drawings are not to scale

LAMP NOT INCLUDED.

CAUTION: Care should be taken with positioning of the light fitting as it will become hot in operation.

