

NEUTRON

General Information:

An fixed downlight suitable for wet areas such as showers or outdoor areas such as terraces and balconies. Ideal for use in steam showers, due to its high IP rating.

The main body is made of pressure-injected aluminium and front ring (round or square) is made from stainless steel or aluminium painted to give high resistance to corrosion and rusting.

Lamp:

12v, 20w GU4 Dichroic

Shape Options:

Square
Round

Finishes:

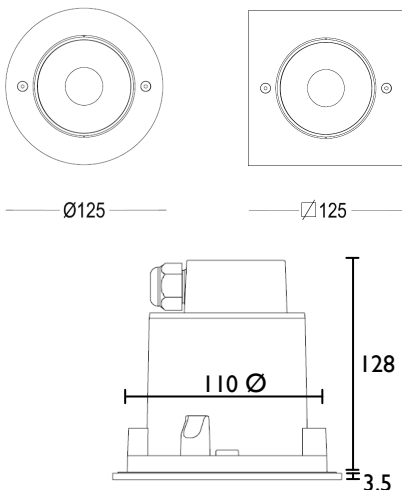
Stainless steel
Grey
Black

Accessories:

Transformer
Adjustable anti-glare grid



Dimensions:



Cut out: 110mm Ø

Please note that these drawings are not to scale

LAMP AND TRANSFORMER NOT INCLUDED.

CAUTION: Care should be taken with positioning of the light fitting as it will become hot in operation.