

NYHAVN WALL



General Information:

A wall mounted luminaire suitable for both interior and exterior applications. The fitting creates general lighting, mainly directed downwards by the conical shade. The horizontal reflector rings direct a small amount of light onto the topside of the shade for self illumination.

Copper version is untreated to achieve a vendigris finish over time.

Lamp Options:

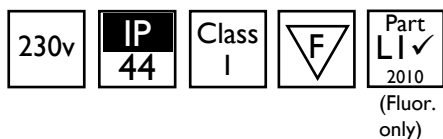
230v, 10w G24q-I Compact Fluorescent
230v, 100w E27 GLS Halogen

Diffuser Options:

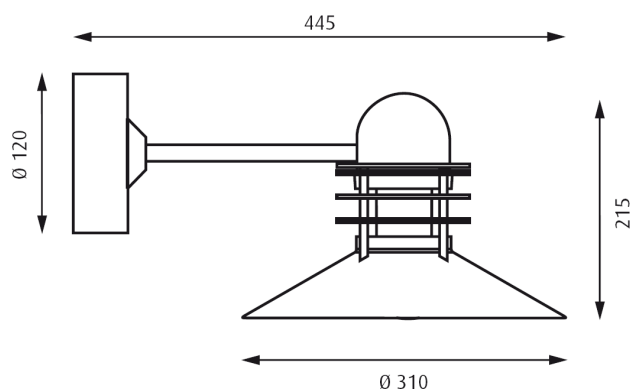
Clear (Halogen only)
Part Frosted (Fluorescent only)

Finishes:

Brushed Copper
White



Dimensions:



Please note that these drawings are not to scale

LAMP NOT INCLUDED.

CAUTION: Care should be taken with positioning of the light fitting as it will become hot in operation.