

# OSLO PENDANT

## General Information:

A pendant that provides general indirect lighting and produces a visually comfortable ambience by emitting light between the shades.

Ideal for spaces where the glare needs to be reduced.

## Lamp:

230v, 2 x 57w GX24q-5 Compact Fluorescent

## Ballast Options:

Non-dimmable

I-10v dimmable

DALi dimmable

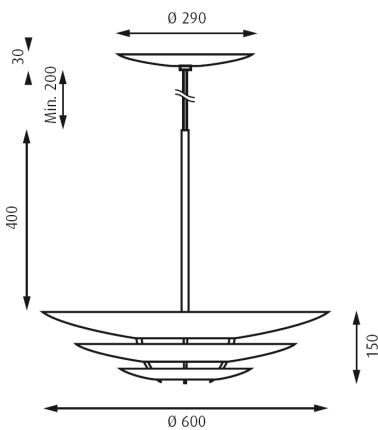
DSi dimmable

## Finish:

White



## Dimensions:



Please note that these drawings are not to scale

**LAMP NOT INCLUDED.**

**CAUTION:** Care should be taken with positioning of the light fitting as it will become hot in operation.