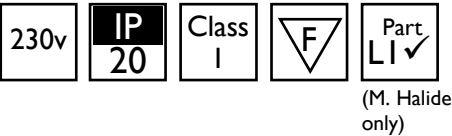
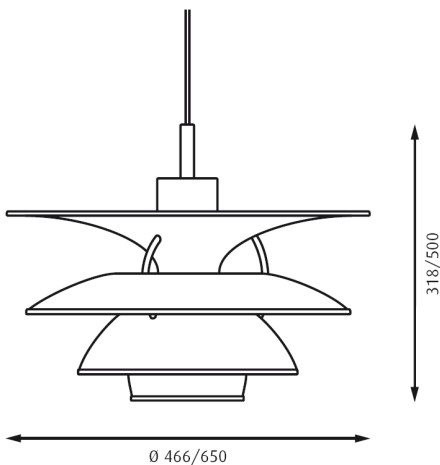


PH 5-4½ & 6½-6



Dimensions:



Please note that these drawings are not to scale

LAMP NOT INCLUDED.

CAUTION: Care should be taken with positioning of the light fitting as it will become hot in operation.

General Information:

This pendant is able to provide uniform and glare-free lighting. The shade design creates indirect light for both horizontal and vertical surfaces in a space. Ideal for high ceiling spaces.

An adjustable dark blue anti-glare ring screens glare from the neck of the fixture.

Size Options:

5-4½ (Halogen)

6½-6 (Metal Halide)

Lamp Options:

230v, 70-150w G12 Metal Halide

230v, 230w E27 Halogen

Cable Finishes:

White (Halogen only)

White and wire (Metal halide only)

Finish:

White