

# PARK LANE LED

## General Information:

An elegant wall light with a rectangular canvas shade and LED reading light. The LED gooseneck can be bent for convenience.

The fitting has two switches, one of each light source.

## Lamp:

230v, 60w E27 incandescent GLS + 1w LED

## Finishes:

Bronze

Polished Nickel

Brushed Nickel

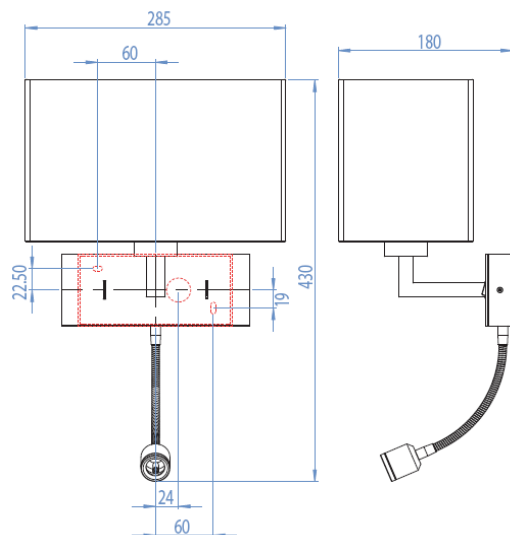
## Shade options:

Black shade

White shade



## Dimensions:



Please note that these drawings are not to scale

**LAMP NOT INCLUDED.**

**CAUTION:** Care should be taken with positioning of the light fitting as it will become hot in operation.

