

PULSAR 135

General Information:

A surface mounted or semi-recessed luminaire able to provide general lighting in a space, suitable for all interior applications.

The major part of the light is directed downwards, but depending on chosen conical shade, the lighting characteristics vary from diffuse to direct lighting.

Lamp Options:

230v, 18w G24q-2 Compact Fluorescent

230v, 20w G8.5 Metal Halide

Mounting Options:

Semi-recessed

Surface mounted

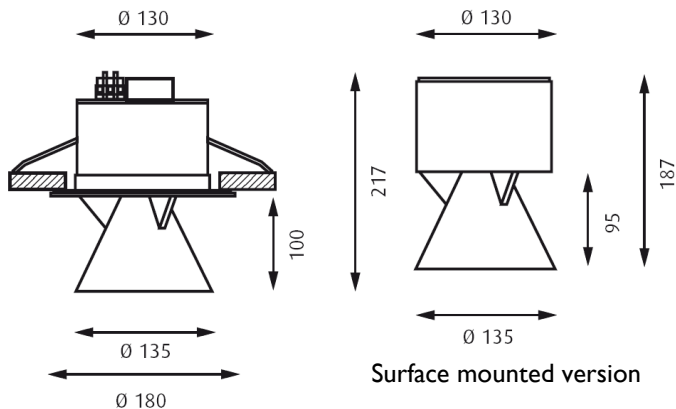
Finishes:

Metallic plate with opal acrylic shade

Metallic plate with metallic acrylic shade



Dimensions:



Semi-recessed version

Cut out: 150mm Ø
Surrounding materials must
be removed by 50mm

Please note that these drawings are not to scale

LAMP NOT INCLUDED.

CAUTION: Care should be taken with positioning of the light fitting as it will become hot in operation.