

# SPATIO III T50

## General Information:

A surface mounted spotlight with L-shaped brace and square lamp holder, suitable for ceiling and wall mounting.

Both the brace and the lamp holder can rotate for maximum flexibility in adjusting the direction of the light beam to suit individual needs.

The transformer is incorporated into the body of the fitting.

## Lamp:

12v, 35-50w G53 AR111

## Finishes:

Aluminium Grey

Black

White

## Accessories:

Front glass + ring

Colour Filter + ring

Lens + ring

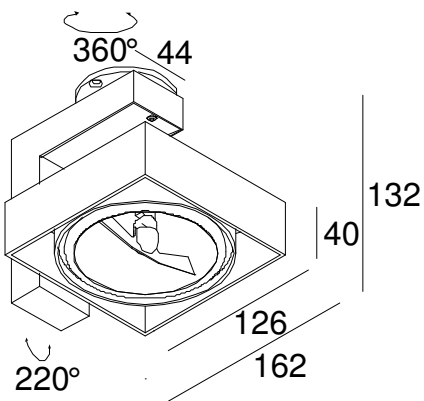
Raster Louvre + ring

Flap

Coverset



## Dimensions:



Please note that these drawings are not to scale

**LAMP NOT INCLUDED.**

**CAUTION:** Care should be taken with positioning of the light fitting as it will become hot in operation.