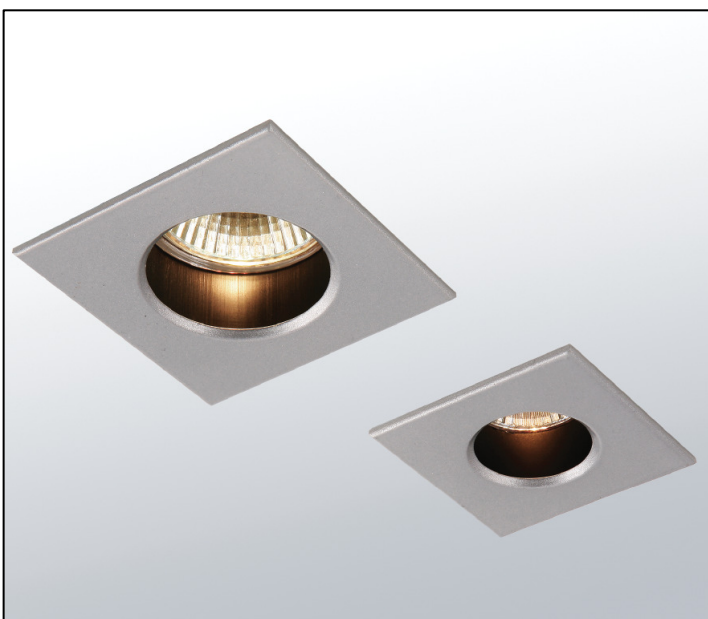


SQUARE SHINE B



General Information:

A fixed recessed square downlight with antiglare baffle for visual comfort and minimal glare. Comes with constant torque spring retention system, ideal for lath and plaster ceilings of irregular thickness.

Lamp options:

12v, 20-50w GU5.3 Dichroic
230v, 35-50w GU10 Dichroic
12v, 5w 3200k LED



Finishes:

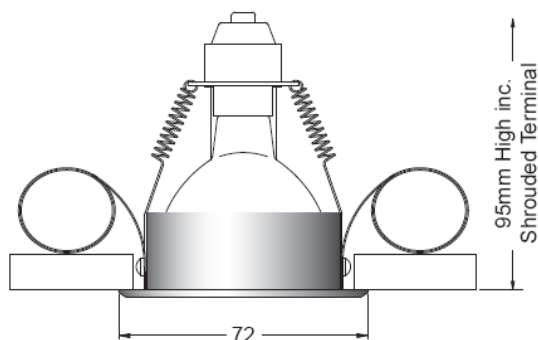
Polished Chrome	<input type="checkbox"/>	Silver Metallic	<input type="checkbox"/>
Satin Chrome	<input type="checkbox"/>	Matt White	<input type="checkbox"/>
Polished Nickel	<input type="checkbox"/>	Black Eggshell	<input type="checkbox"/>
Polished Brass	<input type="checkbox"/>	Paint to spec.	<input type="checkbox"/>
Bronze	<input type="checkbox"/>		

Accessories:

Transformer
Various lenses



Dimensions:



Cut out: 62mm Ø

Allow a minimum ceiling void of 120mm and surrounding materials must be removed by 100mm to allow for air circulation.

Please note that these drawings are not to scale

LAMP AND TRANSFORMER NOT INCLUDED.

CAUTION: Care should be taken with positioning of the light fitting as it will become hot in operation.