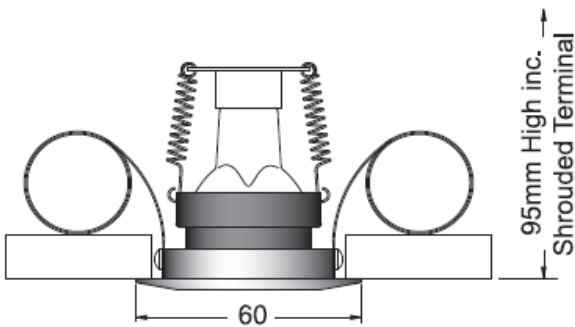


# SUNBEAM A LED



## Dimensions:



Cut out: 50mm Ø

Allow a minimum ceiling void of 120mm and surrounding materials must be removed by 100mm to allow for air circulation.

Please note that these drawings are not to scale

**TRANSFORMER NOT INCLUDED.**

**CAUTION:** Care should be taken with positioning of the light fitting as it will become hot in operation.

## General Information:

A directional LED downlight where the lamp is recessed within an anti glare baffle for visual comfort and minimal glare.

The lamp can tilt 30 degrees from vertical.

Utilises a constant torque spring retention system ideal for lath and plaster ceiling or ceilings of irregular thickness.

## Lamp:

12v, 1w 3200k LED

## Finishes:

Polished Chrome	<input type="checkbox"/>	Matt White	<input type="checkbox"/>
Satin Chrome	<input type="checkbox"/>	Black Eggshell	<input type="checkbox"/>
Polished Nickel	<input type="checkbox"/>	Polished Brass	<input type="checkbox"/>
Bronze	<input type="checkbox"/>	Paint to spec.	<input type="checkbox"/>
Silver Metallic	<input type="checkbox"/>		

## Accessories:

LED Transformer   
 Various Lenses

