

SUNBEAM A

General Information:

A directional downlight where the lamp is recessed within an anti glare baffle for visual comfort and minimal glare.

The lamp can tilt 30 degrees from vertical.

Utilises a constant torque spring retention system ideal for lath and plaster ceiling or ceilings of irregular thickness.

Lamp:

12v, 20-35w GU4 Dichroic

Finishes:

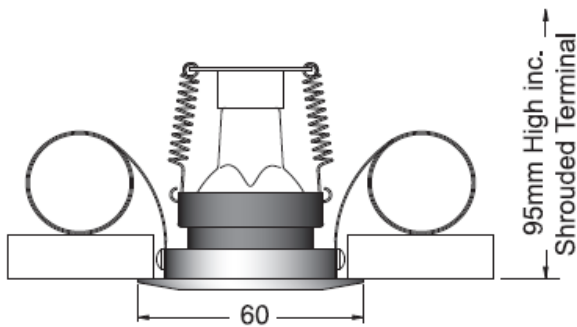
Polished Chrome	<input type="checkbox"/>	Matt White	<input type="checkbox"/>
Satin Chrome	<input type="checkbox"/>	Black Eggshell	<input type="checkbox"/>
Polished Nickel	<input type="checkbox"/>	Polished Brass	<input type="checkbox"/>
Bronze	<input type="checkbox"/>	Paint to spec.	<input type="checkbox"/>
Silver Metallic	<input type="checkbox"/>		

Accessories:

Transformer	<input type="checkbox"/>
Various Lenses	<input type="checkbox"/>



Dimensions:



Cut out: 50mm Ø

Allow a minimum ceiling void of 120mm and surrounding materials must be removed by 100mm to allow for air circulation.

Please note that these drawings are not to scale

LAMP AND TRANSFORMER NOT INCLUDED.

CAUTION: Care should be taken with positioning of the light fitting as it will become hot in operation.

