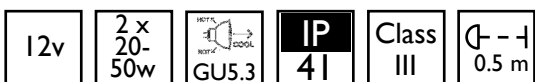
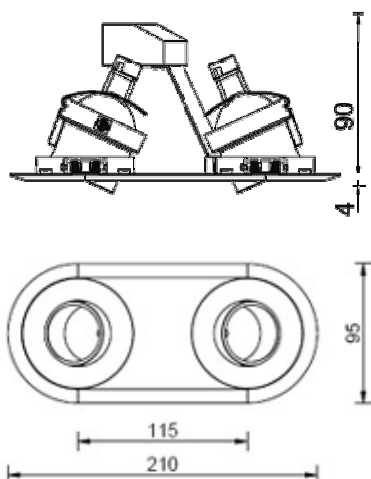


TWIN 50



Dimensions:



Cut out: 2 x 82mmØ and 115 between centres

Please note that these drawings are not to scale

LAMPS AND TRANSFORMERS NOT INCLUDED.

CAUTION: Care should be taken with positioning of the light fitting as it will become hot in operation.

General Information:

A recessed directional downlight suitable for all interior applications.

The fitting has magnetically retained inner bezels for easy lamp replacement without disturbance of the ceiling.

Lamp:

12v, 2 x 20-50w GU5.3 Dichroic

Finishes:

White (RAL 9010)

Black

Antique Bronze

Polished Chrome

Matt Chrome

Polished Nickel

Matt Nickel

Paint to spec.

Accessories:

Transformer

Various lenses