

UNDERCOVER ZB 55 I I

General Information:

A sleek recessed luminaire combining two different light sources. The four central spotlights utilise an AR111 lamp for a direct beam of illumination. The four concealed compact fluorescents provide excellent general illumination.

Cabling for two circuits is required. Comes with ballast and transformer

Lamps (two types required):

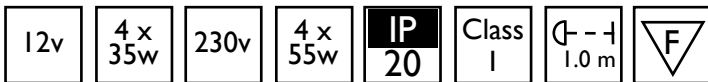
230v, 4 x 55w 2G11 Compact Fluorescent and
12v, 4 x 35w G53 AR111

Finish:

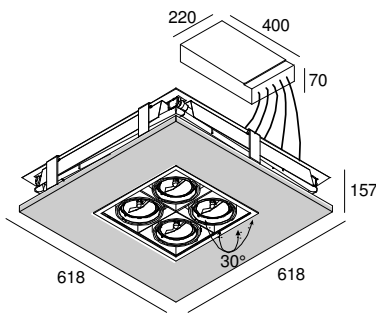
Aluminium Grey

Accessories:

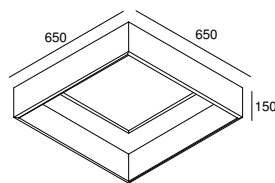
Back box



Dimensions:



Back Box:



Cut out: 655 x 655mm
Recess Depth: 180mm

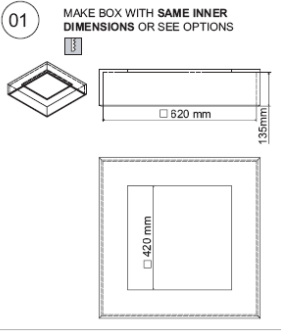
Please note that these drawings are not to scale

LAMPS NOT INCLUDED.

CAUTION: Care should be taken with positioning of the light fitting as it will become hot in operation.



INSTALLATION INSTRUCTIONS - PART A



01. MAKE AN OPENING IN CEILING OR INSTALL RECOMMENDED UNDERCOVER ZB 5511 BOX
02. REMOVE THE RING
03. REMOVE THE PC GLASS
04. MAKE THE ELECTRICAL CONNECTION
05. PLACE THE BALLAST BOX ON THE CEILING
06. FIX THE DEVICE TO THE CEILING
07. INSERT / REPLACE LAMPS
08. PLACE THE PC GLASS
09. PLACE THE RING
10. SWITCH ON

