

UNDERSHELF LED

General Information:

A discreet LED undercabinet light with a protective cover available in clear or sandblasted glass (standard) with a magnetic fastening for ease of re-lamping.

Available as semi-recessed or surface mounted. Only 18mm recess required.

Supplied without any leads, utilises push-in wire terminal lamp holder.

Lamp:

350mA, 1w 3200k LED

Glass Options:

Sandblasted glass (Standard)

Clear glass

Finishes:

Polished Chrome

Satin Chrome

Polished Nickel

Polished Brass

Bronze

Silver Metallic

Matt White

Black Eggshell

Paint to spec.

Accessories:

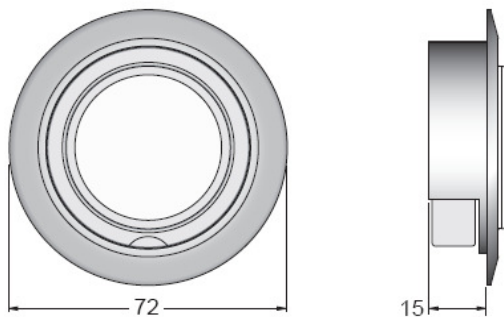
Driver

Eyelid scoop

Surface Mount Can



Dimensions:



Cut out: 65mm Ø

Please note that these drawings are not to scale

DRIVER NOT INCLUDED.

CAUTION: Care should be taken with positioning of the light fitting as it will become hot in operation.

