

# UNDERSHELF

## General Information:

A discreet undercabinet light with a protective cover available in clear or sandblasted glass (standard) with a magnetic fastening for ease of re-lamping.

Available as semi-recessed or surface mounted. Only 18mm recess required.

Supplied without any leads, utilises push-in wire terminal lamp holder.

## Lamp:

12v, 10w G4 Capsule

## Glass Options:

Sandblasted glass (Standard)

Clear glass

## Finishes:

Polished Chrome

Satin Chrome

Polished Nickel

Polished Brass

Bronze



Silver Metallic

Matt White

Black Eggshell

Paint to spec.



## Accessories:

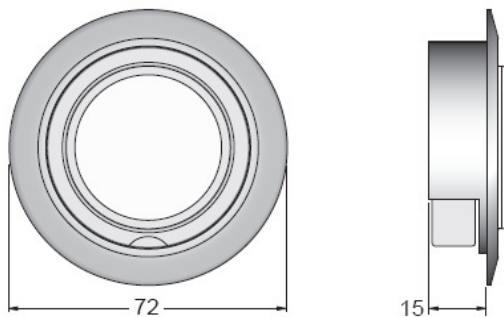
Transformer

Eyelid scoop

Surface Mount Can



## Dimensions:



Cut out: 65mm Ø

Please note that these drawings are not to scale

**LAMP AND TRANSFORMER NOT INCLUDED.**

**CAUTION:** Care should be taken with positioning of the light fitting as it will become hot in operation.

